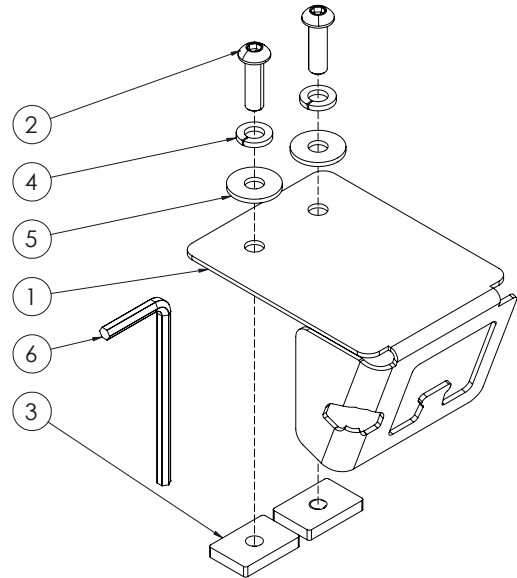


**PLATFORM SOLD SEPARATELY.
ALCOHOL PICTURED UNAVAILABLE FOR PURCHASE.**

FIRST TIME INSTALLATION

- Please read instructions carefully before installation.
- Check the contents of kit. Contact your YAKIMA dealer if any parts appear missing or damaged.
- Clean your Platform prior to fitting the LOCKN'LOAD Platform Multi Tool / Bottle Opener.
- Place these instructions in the vehicle's glove box after installation is complete.

KIT CONTENTS



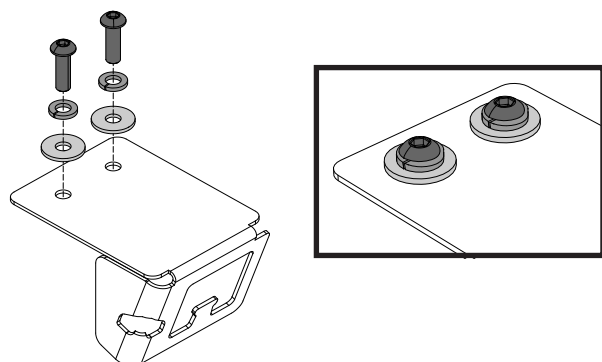
ITEM	COMPONENT	QTY
1.	Multi Tool / Bottle Opener	x1
2.	Button Head Capscrew	x2
3.	T-nut	x2
4.	Spring Washer	x2
5.	Washer	x2
6.	Allen Key	x1

INSTALLATION

1

CAPSCREW ASSEMBLIES

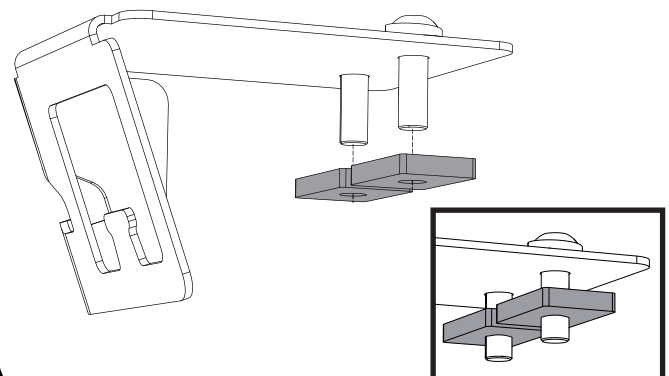
Assemble 1 x Spring Washer and 1 x Washer onto each Button Head Capscrew and insert into bracket as shown.



2

ASSEMBLE TEE NUTS

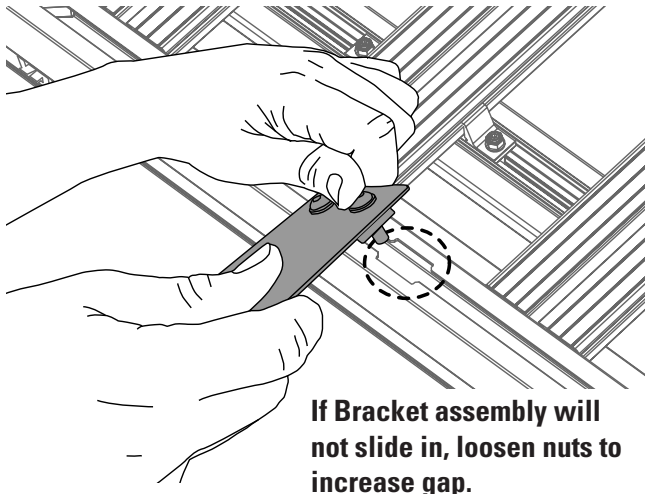
Loosely Assemble 1 x T-nut onto each Capscrew assembly as shown.



INSTALLATION

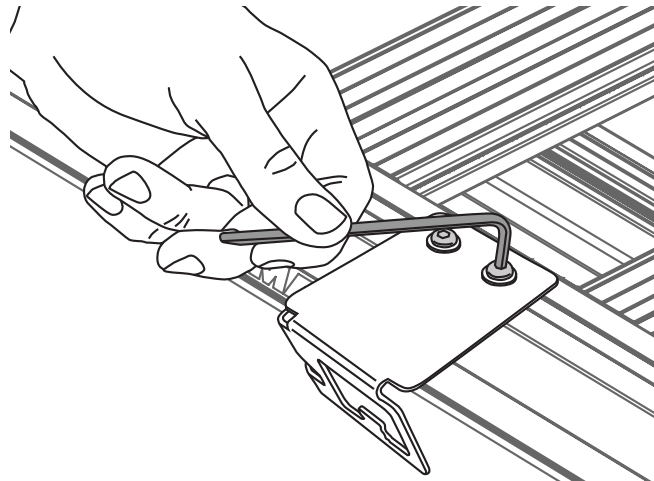
3 POSITION T-NUTS IN SLATS

Locate T-nuts into cut out on Platform side. Slide assembly along channel where you would like it positioned.



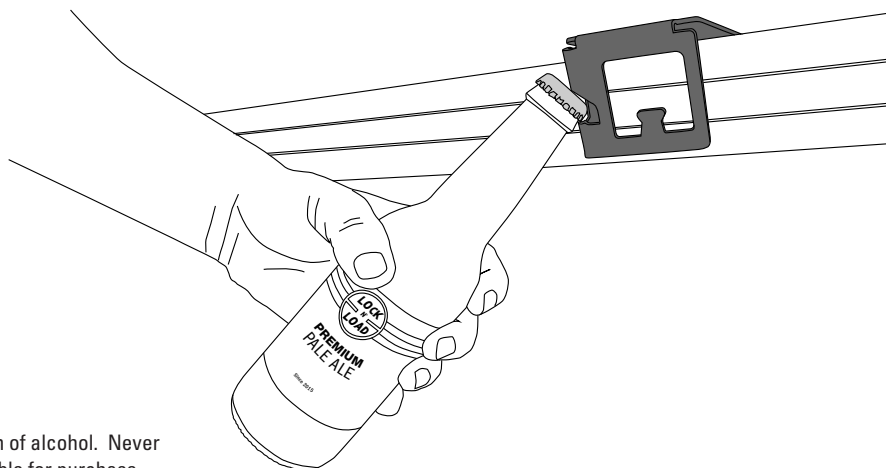
4 SECURE TO PLATFORM

Tighten both Capscrews to 4Nm using the supplied Allen Key.



5 ENJOY

Crack open a cold one and enjoy with some mates.*

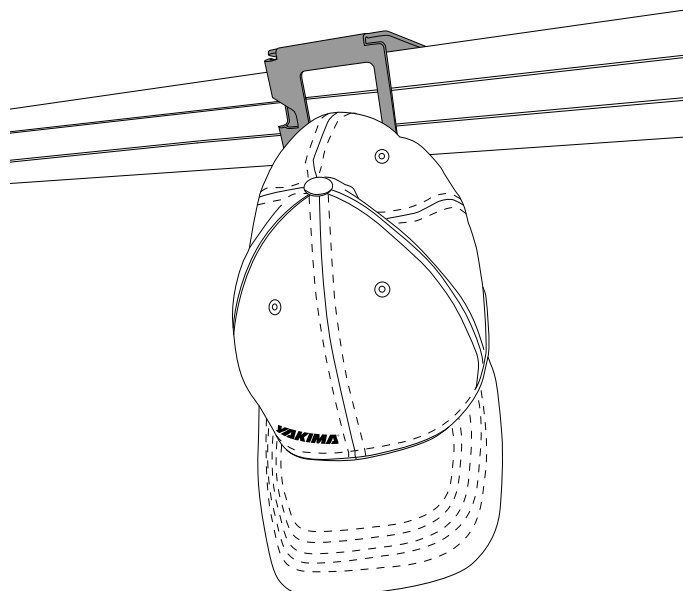


*Yakima encourages responsible consumption of alcohol. Never drink while driving. Alcohol pictured unavailable for purchase.

6 HANGING TAB

The multi purpose Hanging Tab can be used as recommended:*

- Hat, jacket and coat hanger
- Bag hanger
- String your clothesline
- Plus a thousand and one other uses!



*Vehicle must be stationary prior to use.